

HOBART

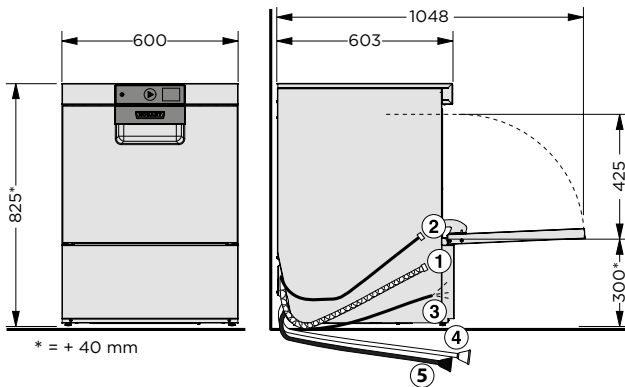
WAREWASHING
UNDERCOUNTER DISHWASHERS FX



PROFI FX



The **PROFI** model for reliable and simple washing of tableware, cutlery and glasses. Ideally suited for use in restaurants, bistros and cafés.



* = + 40 mm

CONNECTIONS

| | |
|-------------------------------|----------------------------------|
| ① Drain hose | 2,000 mm ID20/OD25 |
| ② Supply hose | 2,000 mm R 3/4" |
| Required flow rate | 5 l/min |
| Flow pressure | 0.5 (0.8 with softener) - 10 bar |
| Max. supply water temperature | 60 °C |
| ③ Power cord | 2,000 mm |
| Supply hose for | |
| ④ Detergent | 2,500 mm |
| ⑤ Rinse aid | 2,500 mm |

TECHNICAL DATA

| | |
|-------------------|--|
| Cycle times* | 90 / 180 / 360 sec. and special cycles |
| Water consumption | 2 l/rack |
| Tank capacity | 10.6 l |
| Tank heating | 1.7 kW |
| Power supply | 400 / 50 / 3N (230 / 50 / 1) |

BOOSTER LOADING

| | |
|-------------|--------|
| Standard | 6.2 kW |
| Alternative | 2.1 kW |

TOTAL LOADING

| | |
|-------------|-------------------|
| Standard | 6.8 kW 3 x 16 A |
| Alternative | 2.7 kW 16 A |

| | |
|----------------------|--------------------------|
| Wash pump | 0.5 kW 350 l/min |
| Rack size | 500 x 500 500 x 530 mm |
| Loading height | 425 mm |
| Noise level | 60.5 dB (A) |
| Weight (gross / net) | 70 / 60 kg |

PRODUCT ADVANTAGES

- **VISIOTRONIC-TOUCH control:** colour touch screen (displays text and graphic) in conjunction with single-button control and remaining cycle time indication
- **WASHSMART app:** controlling your warewash operation with smart technology: status and messages, usage and operating costs, hygiene, service and consumables order
- **SENSO-ACTIVE resource management:** constantly measures the quality of the wash water and keeps the amount of rinsing needed in each rinse cycle to the minimum in order to guarantee a fully hygienic wash result
- **2IN1 double rack system:** two racks can be washed in a single wash cycle. One rack of cups can be washed underneath, while a second rack containing dishes and cutlery can be washed above it. Thanks to the optimum use of the entire wash chamber the performance of the machine can be doubled
- **CLIP-IN wash and rinse arms:** wash and rinse arms can be removed with one hand and without any tools
- **Intelligent data documentation:** automatic recording of important operational data and consumptions and indication on the display
- **USB-interface:** comfortable download of operational data in form of a protocol via USB
- **GENIUS-X² fine filter system:** advanced filter system with pre-wash function reduces detergent consumption up to 35%
- **Interlocked strainer:** prevents operation without tank strainer
- **Optional refill signal:** monitors contents of external as well as integrated chemical containers
- **Hygiene programme:** for removal of calcium carbonate and other deposits from wash chamber

* Thermostat guarantees required temperatures with cold water and / or 230 V connection, the actual cycle times extend accordingly. For machine protection the water hardness should not exceed 3°dH, if higher we recommend using an integrated water softener or an external water softener of the product line HYDROLINE PROTECT. To avoid spots and streaks on the wash ware, we recommend the usage of an demineralisation cartridge (HYDROLINE STAR / STAR EXTRA) or a reverse osmosis system HYDROLINE PURE.



久順餐飲設備有限公司
<http://www.jeoushun.com/>

台北

北區 02-82186031
諮詢 0925-225555

台中

中區 04-22429263
諮詢 0925-553333

台南

南區 06-2460300
諮詢 0925-112222

全省各地均有特約經銷商及專業工程師為每位顧客作最完善的安裝 保固及售後服務。



更多資訊請參閱我們餐飲設備網

